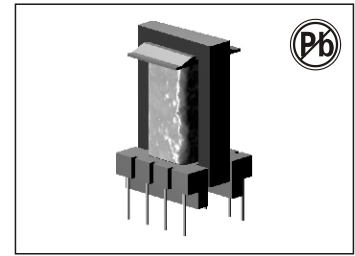


# POWER FERRITE TRANSFORMERS

## 10-18W EL19 - 2 OUTPUT FLYBACK TRANSFORMERS

### FWPT EL19020 SERIES



#### FEATURES:

- Primary / Secondary Insulation  $\geq 4000V$
- Primary Auxiliary Insulation  $\geq 1500V$
- Creepage distances Primary / secondary  $\geq 6mm$

#### OPTIONS:

- Bulk packaging is standard
- Custom design available

#### COMMON APPLICATIONS:

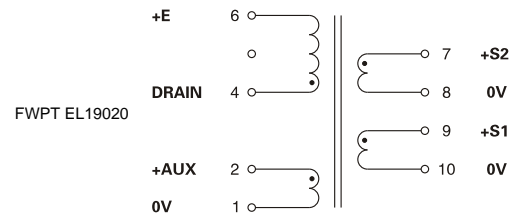
- AC-DC converters
- DC-DC converters
- Switch Power supplies
- SMPS: Flyback, Forward and Push-pull
- SMPS: Half Bridge and Full Bridge

### ELECTRICAL CHARACTERISTICS

Control IC Manufacturer	Control IC P/N	Input voltage	Power	Frequency
Power Integrations	TNY268	185 – 265 Vrms	18 w	132 kHz
Power Integrations	TOP243P	185 – 265 Vrms	18 w	132 kHz
Power Integrations	TOP243P	85 – 265 Vrms	12 w	132 kHz
ST Microelectronics	VIPer20	85 – 265 Vrms	10 w	100 kHz
ST Microelectronics	VIPer20	185 – 265 Vrms	12 w	100 kHz
ST Microelectronics	VIPer50	185 – 265 Vrms	16 w	100 kHz
Motorola	MC33370	185 – 265 Vrms	16 w	100 kHz
Infineon	TDA16832	185 – 265 Vrms	16 w	70 kHz

### TECHNICAL INFORMATION

- Ambient temperature  $< 50^{\circ}C$
- Construction conforms to CEI 950, CEI 335, CEI 61558 for reinforced insulation
- Exclusively uses UL94-VO listed materials



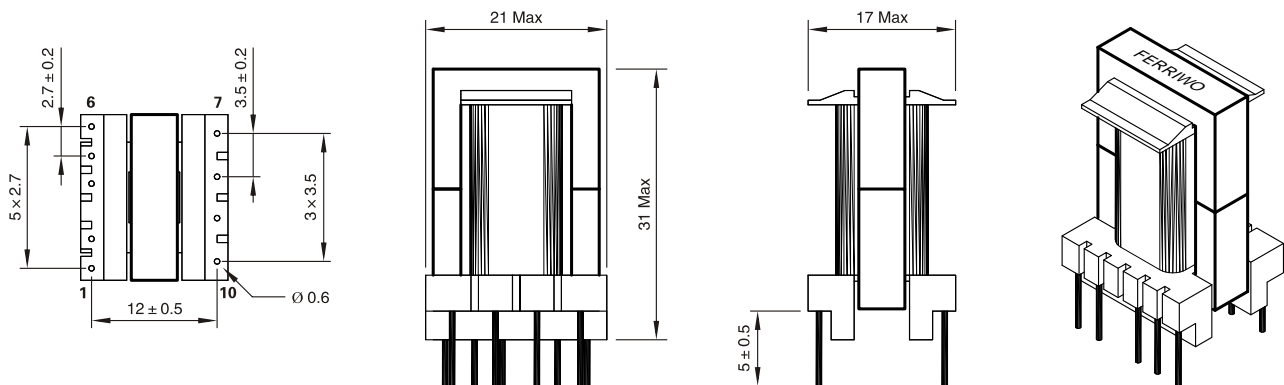
Note: PIN 3 Removed, PCB Drilling Diameter = 1.1mm

#### SIZE EL19 - 2 OUTPUTS : 5 & 12V - FLYBACK TRANSFORMER

Part Number	Output Power max	Windings					Inductance (+/-10%)
			Pins	Turns	Voltage	Current max	
FWPT EL19020	18 w	Pri	4-6	108	65-130 (VOR)	0.8 Apeak	1250 $\mu$ H
		Aux	2-1	12	7-14 Vdc	0.1 Adc	
		S1	9-10	6	3.3-7 Vdc	3 Adc	
		S2	7-8	14	8-16.5 Vdc	1.4 Adc	

Note: Regulation with auxiliary winding

### PHYSICAL CHARACTERISTICS

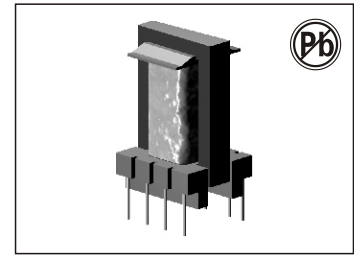


Note: All dimensions in mm

# POWER FERRITE TRANSFORMERS

## 10-18W EL19 - 2 OUTPUT FLYBACK TRANSFORMERS

### FWPT EL19021 SERIES



#### FEATURES:

- Primary / Secondary Insulation  $\geq$  4000V
- Primary Auxiliary Insulation  $\geq$  1500V
- Creepage distances Primary / secondary  $\geq$  6mm

#### OPTIONS:

- Bulk packaging is standard
- Custom design available

#### COMMON APPLICATIONS:

- AC-DC converters
- DC-DC converters
- Switch Power supplies
- SMPS: Flyback, Forward and Push-pull
- SMPS: Half Bridge and Full Bridge

### ELECTRICAL CHARACTERISTICS

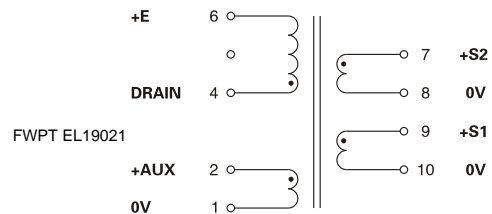
Control IC Manufacturer	Control IC P/N	Input voltage	Power	Frequency
Power Integrations	TOP243Y	185 – 265 Vrms	18 w	132 kHz
Power Integrations	TOP243Y	85 – 265 Vrms	12 w	66 or 132 kHz
ST Microelectronics	VIPer50	85 – 265 Vrms	13 w	70 kHz
Motorola	MC33370	85 – 265 Vrms	13 w	100 kHz
Infineon	TDA16831	92 – 265 Vrms	10 w	100 kHz

### TECHNICAL INFORMATION

- Ambient temperature  $<$  50°C
- Construction conforms to CEI 950, CEI 335, CEI 61558 for reinforced insulation
- Exclusively uses UL94-VO listed materials

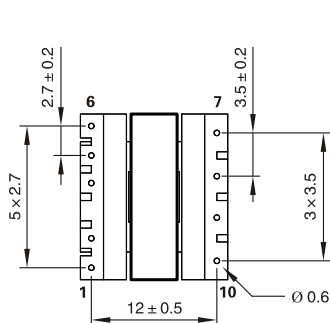
SIZE EL19 - 2 OUTPUTS : 5 & 12V - FLYBACK TRANSFORMER							
Part Number	Output Power max	Windings					Inductance (+/-10%)
			Pins	Turns	Voltage	Current max	
FWPT EL19021	18 w	Pri	4-6	108	65-130 (VOR)	1.1 Apeak	900 $\mu$ H
		Aux	2-1	12	7-14 Vdc	0.1 Adc	
		S1	9-10	6	3.3-7 Vdc	3 Adc	
		S2	7-8	14	8-16.5 Vdc	1.4 Adc	

Note: Regulation with auxiliary winding

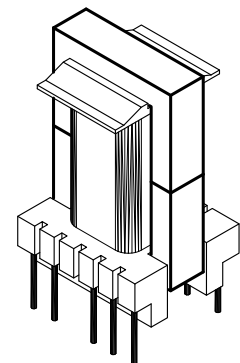
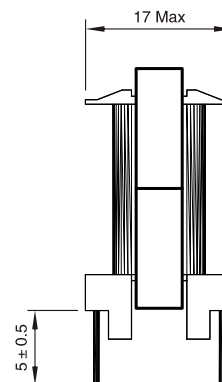
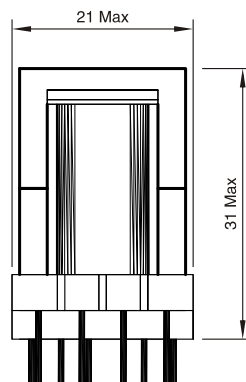


Note: PIN 3 Removed, PCB Drilling Diameter = 1.1mm

### PHYSICAL CHARACTERISTICS



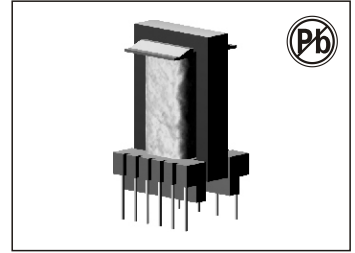
Note: All dimensions in mm



# POWER FERRITE TRANSFORMERS

## 10-18W EL19 - 5 OUTPUT FLYBACK TRANSFORMERS

### FWPT EL19023 SERIES



#### FEATURES:

- Primary / Secondary Insulation  $\geq 4000V$
- Primary Auxiliary Insulation  $\geq 1500V$
- Creepage distances Primary / secondary  $\geq 6mm$

#### OPTIONS:

- Bulk packaging is standard
- Custom design available

#### COMMON APPLICATIONS:

- AC-DC converters
- DC-DC converters
- Switch Power supplies
- SMPS: Flyback, Forward and Push-pull
- SMPS: Half Bridge and Full Bridge

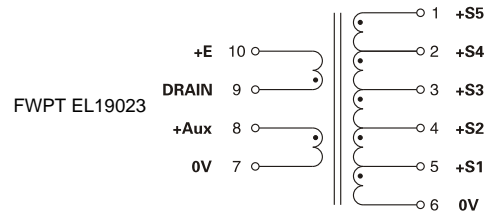
### ELECTRICAL CHARACTERISTICS

Control IC Manufacturer	Control IC P/N	Input voltage	Power	Frequency
Power Integrations	TOP243P	185 - 265 Vrms	16 w	132 kHz
Power Integrations	TOP243P	85 - 265 Vrms	12 w	132 kHz

### TECHNICAL INFORMATION

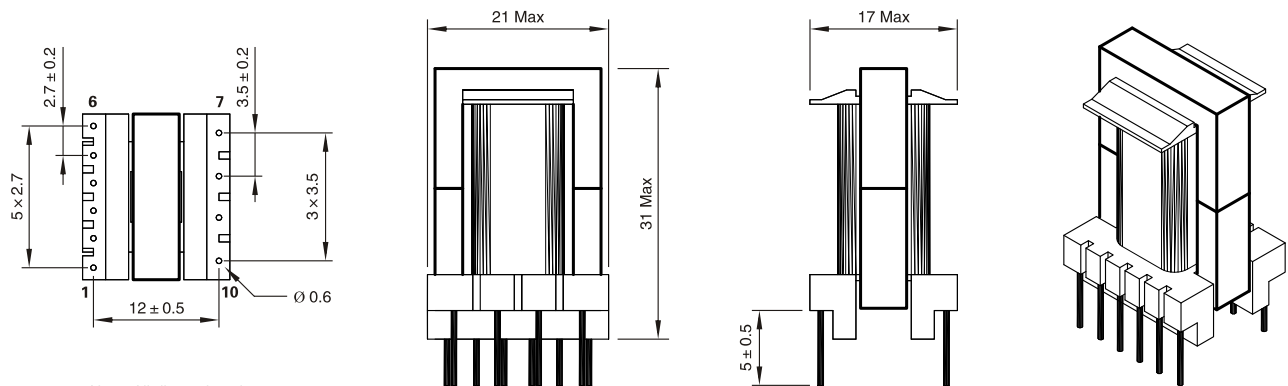
- Ambient temperature  $< 60^{\circ}C$
- Construction conforms to CEI 950, CEI 335, CEI 61558 for reinforced insulation
- Exclusively uses UL94-VO listed materials

SIZE EL19 - 5 OUTPUTS : 3.3/5/12/18/30v - FLYBACK TRANSFORMER							
Part Number	Output Power max	Windings					
			Pins	Turns	Voltage	Current max	Inductance (+/-10%)
FWPT EL19023	16 w	Pri	9-10	120	110 (VOR)	0.85 Apeak	
		Aux	8-7	17	15 Vdc	0.2 Adc	
		S1	5-6	4	3.3 Vdc	2 Adc	
		S2	4-6	6	5 Vdc	Sum S1+S2	
		S3	3-6	14	12 Vdc	0.8 Adc	
		S4	2-6	20	18 Vdc	0.8 Adc	
S5	1-6	33	30 Vdc	0.2 Adc			



Note: PCB Drilling Diameter = 1.1mm

### PHYSICAL CHARACTERISTICS



Note: All dimensions in mm